

HX-2560-SDI

Harsher Environment - Compact

Key Features :

- > Headers: 2 x HDMI (1.4), VGA, Displayport
- > Micro BNC: 3G/HD-SDI input, re-clocked loop-through output
- > LVDS Panel Connection
- > Panel support: 10-Bit, 2560 x 1600 WQXGA @60Hz
- > RS-232, I2C
- > Image Flip (Horizontal & Vertical)

- > Part number: 4178000xx-3

The HX-2560-SDI is a full memory buffered multi-sync interface controller board designed for harsher environments providing analog and digital input for a wide range of TFT LCD panels up to 2560x1600 resolution. It is a true 10-bit controller board supporting 10 bit color depth on a 10 bit panel.

Advanced features include dual-digital Picture-in-Picture (PiP), image flip (H&V), anti-image retention function and many accessory boards.

Panel Connectivity

2560 x 1600	1440 x 900	1024 x 600
2560 x 1440	1280 x 800	800 x 600
1920 x 1920	1280 x 768	800 x 480
1920 x 1200	1366 x 768	640 x 480
1920 x 1080	1280 x 1024	
1680 x 1050	1024 x 768	
1600 x 1200	1600 x 900	

Input

Headers:	2 x HDMI (1.4), Displayport, VGA,
Micro BNC	3G/HD-SDI input 3G/HD-SDI re-clocked loop through output

Reliability

Calculated Mean Time Between Failures - In excess of 100,000 hours
Warranty: 3 years

Features

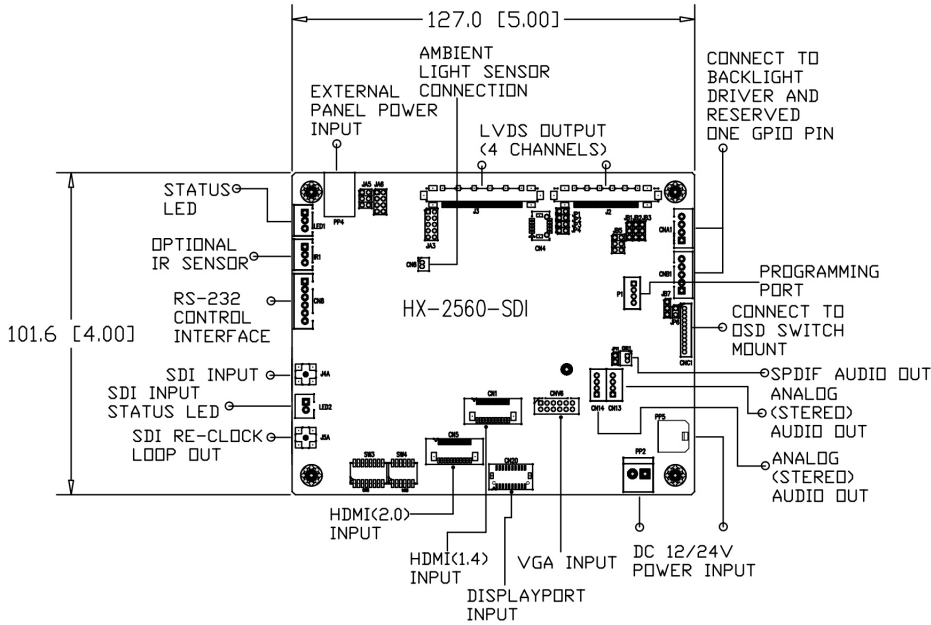
Colors:	Up to 10 bit per color, ie 1.06 billion colors
Functions :	On Screen Display (OSD) menu
Function Controls:	External buttons, Infra-Red controls, Serial Port control
Image Scaling :	Up / Down scaling to fit input to panel resolution
Image Control :	Auto configuration, Black level, Backlight brightness, Contrast, Clock, Phase, Color Temperature, Image position, Sharpness, Hue, Saturation, Gamma, Aspect ratio
Other Features :	Auto source seek, OSD timeout, OSD transparency, Select input source, Volume, Language, Image rotation, Picture-in-picture, Picture-by-picture, Programmable hotkeys. Fast input port switching. Onboard temperature sensor. Support for options such as ambient light sensor, load factory defaults.
Image Flip:	Vertical and Horizontal
Communication:	I2C, RS-232
Power:	+12VDC / +24VDC ±5%, 4W (controller only)
Panel Power:	Supports 3.3V, 5V, 10V, 12V & 18V panels
Panel Signal:	(4) channel LVDS support
Inverter Support:	DPMS Enable pin (3.3V or 5V), PWM,
Plug & Play:	DDC 1,2/b compatible
Status Indicator:	Dual color LED support
Audio:	Digital Audio SPDIF & Analog line-out

*Specifications subject to change

HX-2560-SDI

HARSHER ENVIRONMENT - COMPACT

Mechanical Drawing



Connector Definitions

CN1	HDMI 1 input
CN5	HDMI 2 input
CN6	Ambient light sensor connector
CN8	RS-232 Serial Control
CN11	SPDIF Audio Output
CN13	Analog (stereo) audio in
CN14	Analog (stereo) audio out
CN20	Displayport signal input
CNA1	Auxiliary Power Output
CNB1	Backlight inverter connector
CNC1	OSD Control
CNV6	VGA input
IR1	Infra-red Sensor Connector
J2	LVDS Panel Signal Output 1
J3	LVDS Panel Signal Output 2
J4A	3G/HD-SDI input
J5A	3G/HD-SDI re-clock output
PP2	Power Input
PP4	External panel power input
PP5	Power input
LED1	Controller status LED
LED2	SDI input status LED

Ordering Options

HX-2560-SDI	P/N 4177800xx-3
Inverter Interface board	P/N 416040010-3
IR Remote Control	P/N 559000106-3
OSD Button Board	Kit 67110-3
OSD Membrane Kit - Horizontal	Kit 67134-3
OSD Membrane Kit - Vertical	Kit 67135-3
OSD Button board (5 key)	Kit 67204-3
Power Input Cable	P/N 426013800-3
Power Supply	Kit 80100-3

Drawings

> Includes 2D (jpg)
 > 3D (SLDPRT)

Please download at:
www.digitalview.com/controllers/hx-2560-sdi-lcd-controller.html

Available Resources

> Instruction Manual
 > Revision Control Documentation**
 > Firmware Upgrade Manual**
 > Mechanical Drawing
 ** Available on Request

Controller Solution Generator
<http://www.digitalview.com/csg>

EUROPE

The Lake House, Knebworth Park, Herts, SG3 6PY, UK
 t : +44 (0) 20-7631-2150

ASIA

705-708 Texwood Plaza, 6 How Ming St, Kwun Tong, Hong Kong
 t : (852) 2861-3615

USA

18440 Technology Drive, Morgan Hill, CA 95037, USA
 t : +1 (408) 782-7773